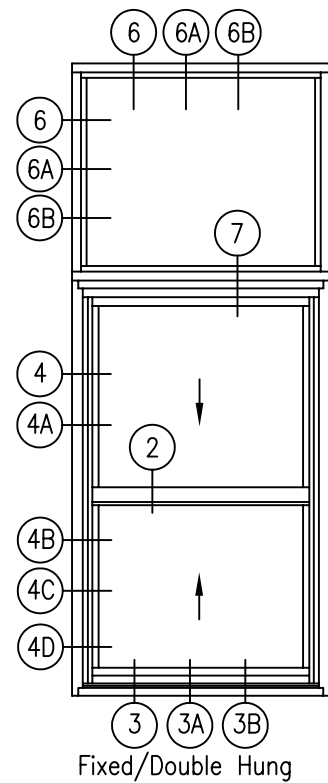
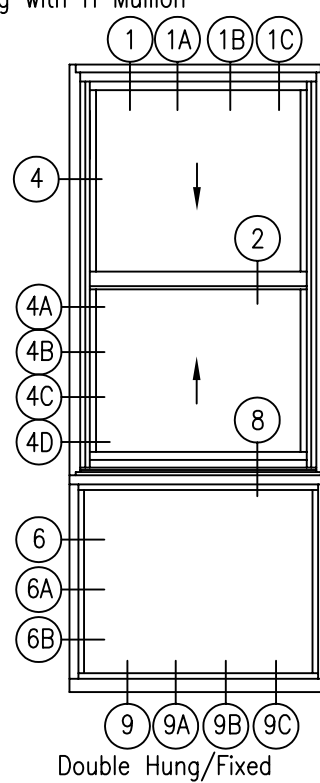
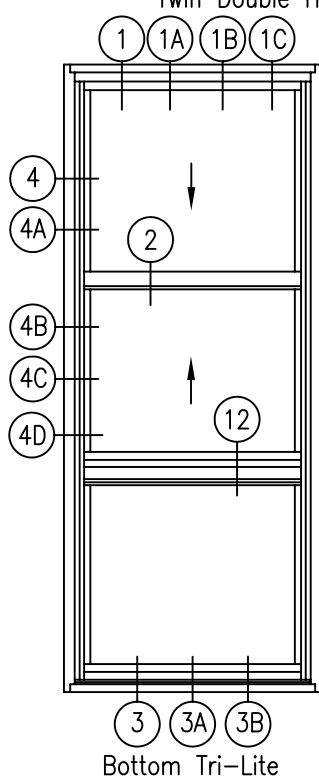
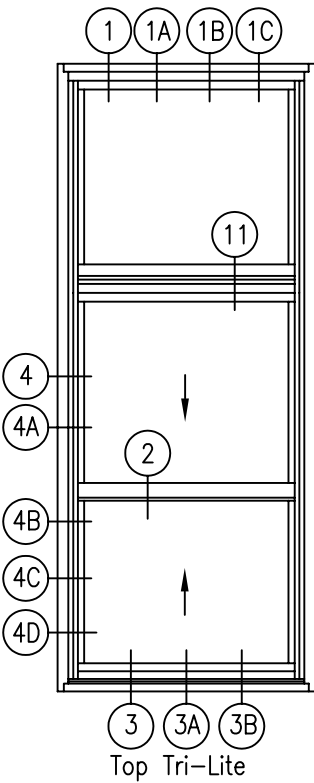
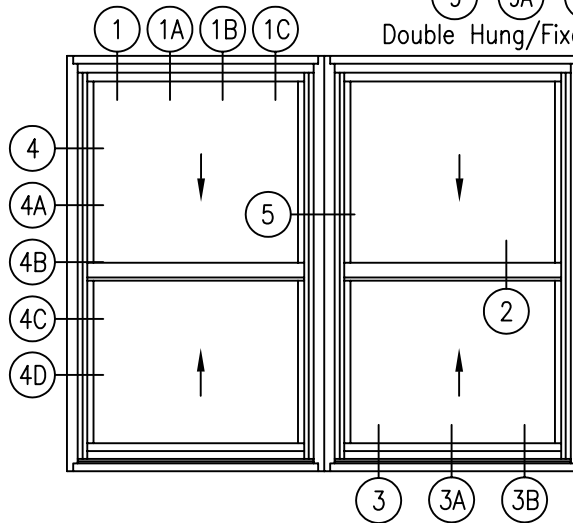
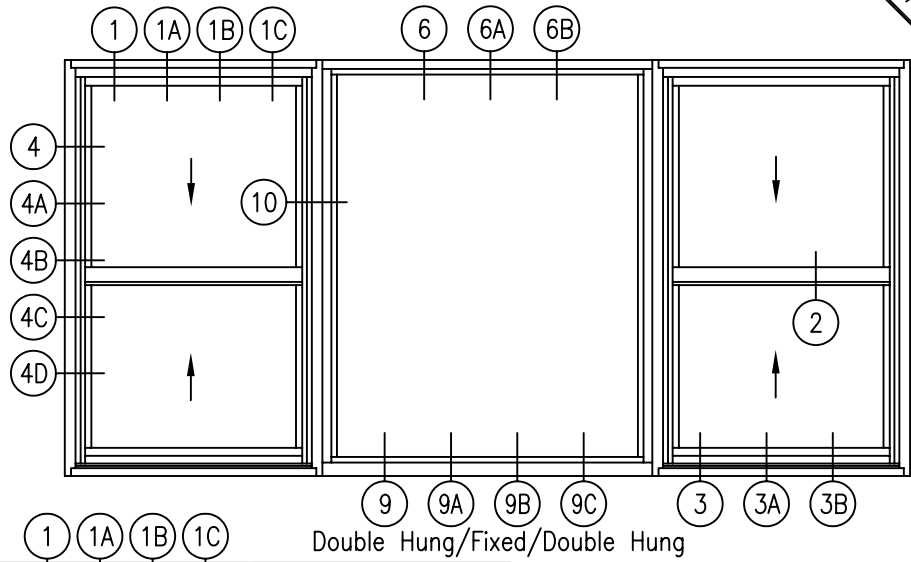
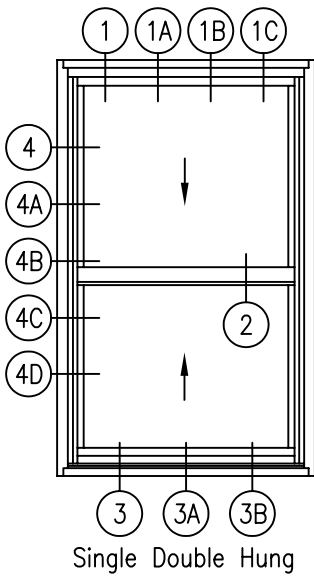
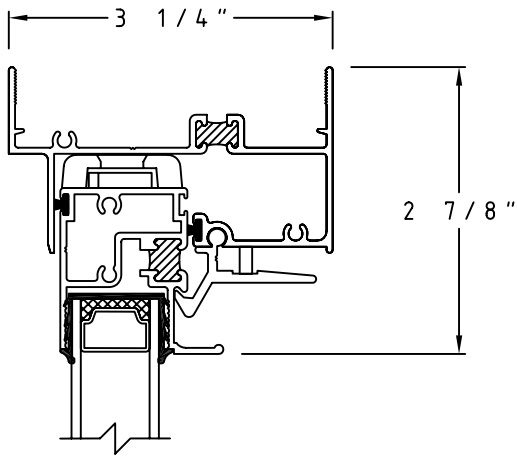


SCALE: NONE

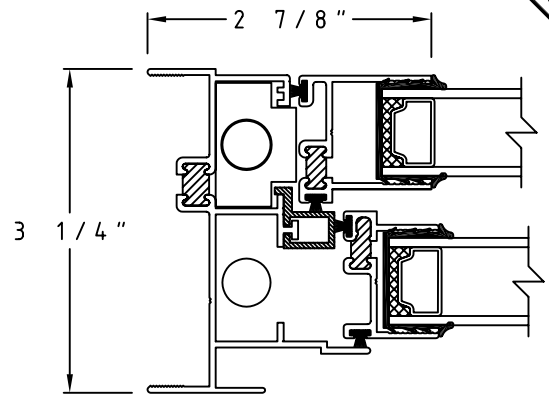


All Elevations are viewed outside looking IN.

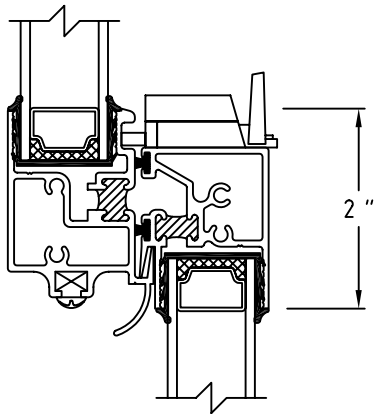
SCALE: HALF



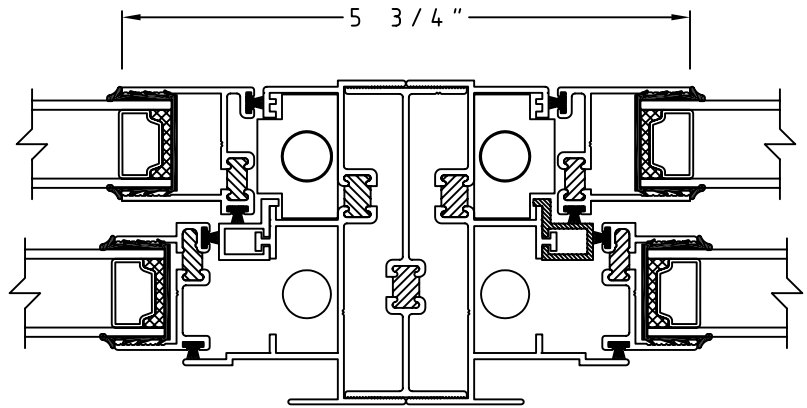
① Head Detail



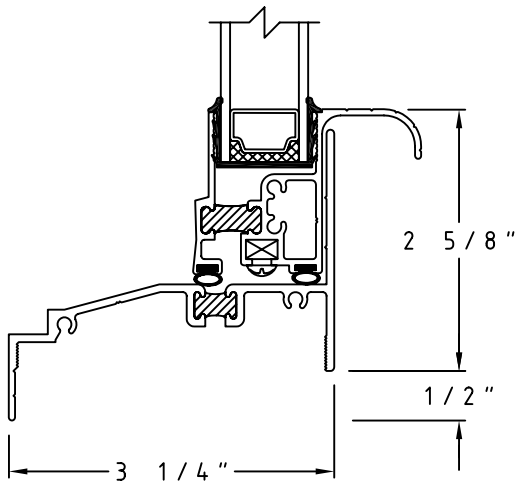
④ Jamb Detail



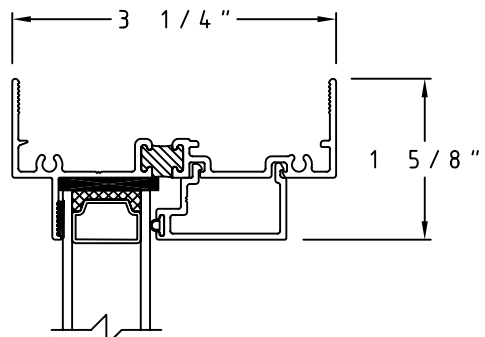
② Meeting Rail Detail



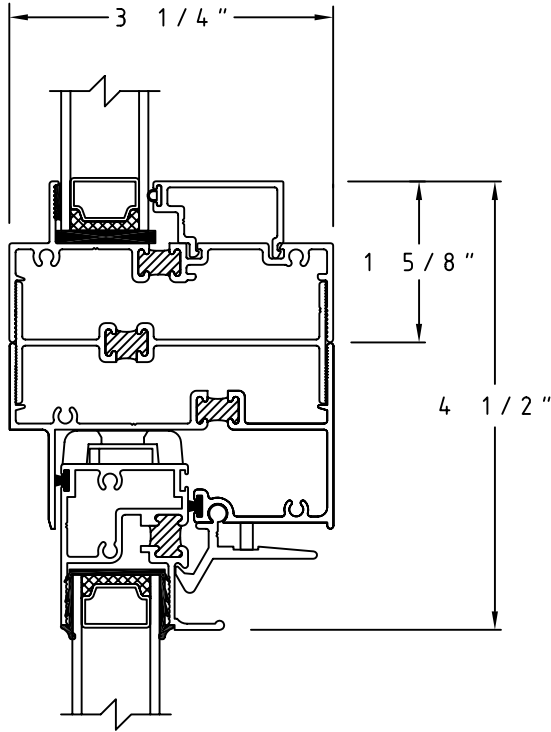
⑤ Vertical H Mullion Detail



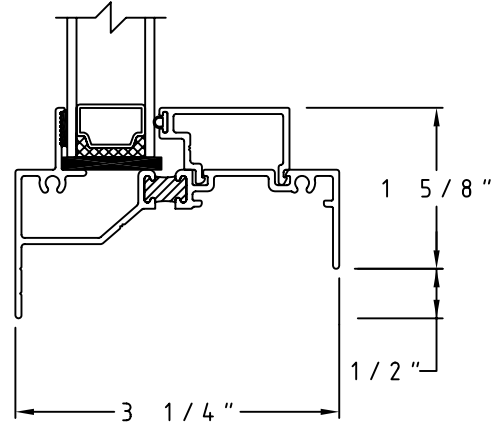
③ Sill Detail



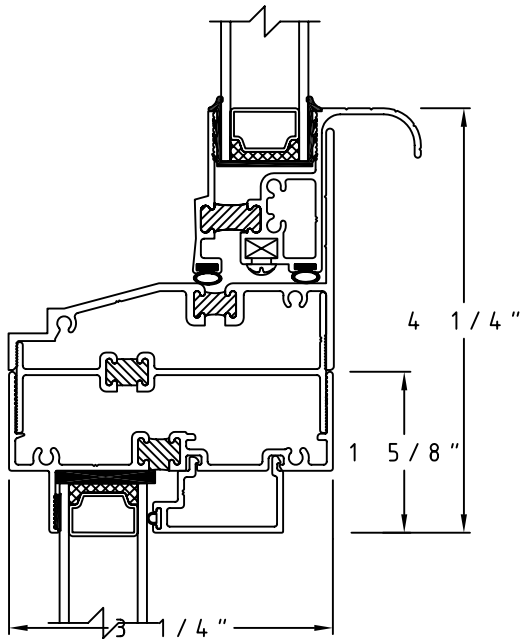
⑥ Fixed Head/Jamb Detail



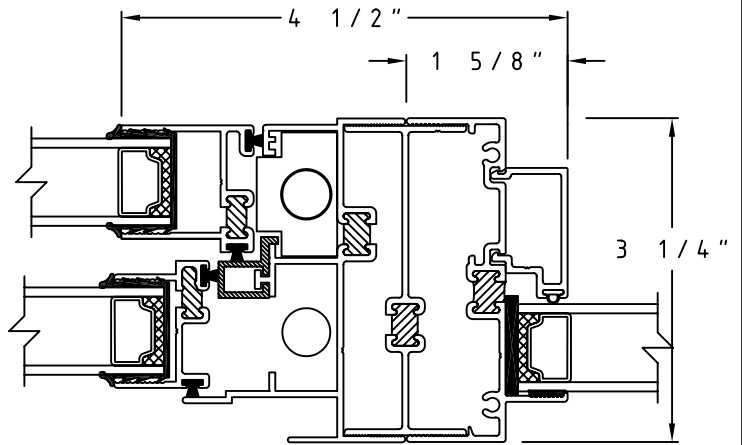
7 Fixed Over Double Hung With H Mullion Detail



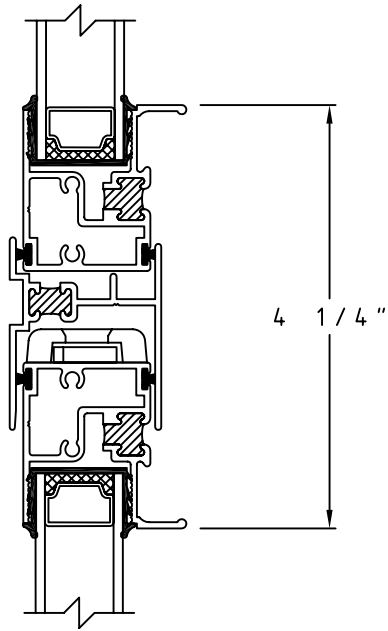
9 Fixed Sill Detail



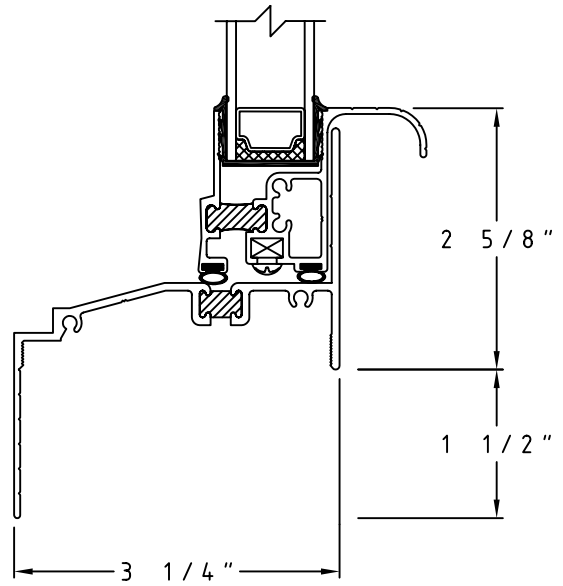
8 Double Hung Over Fixed Detail



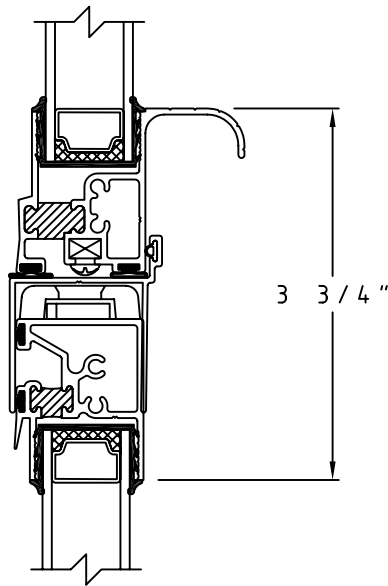
10 Double Hung/Fixed With H Mullion Detail



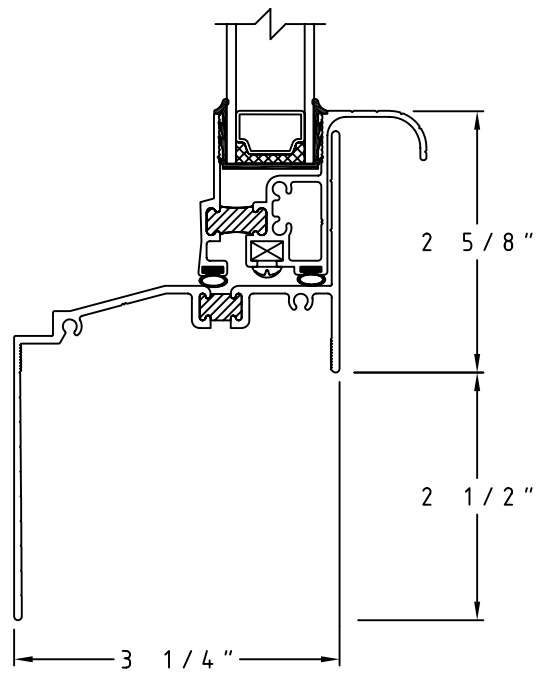
⑪ Fixed Over Double Hung Intergal Mullion Detail



③A 1 1/2" Flange Frame Sill Detail

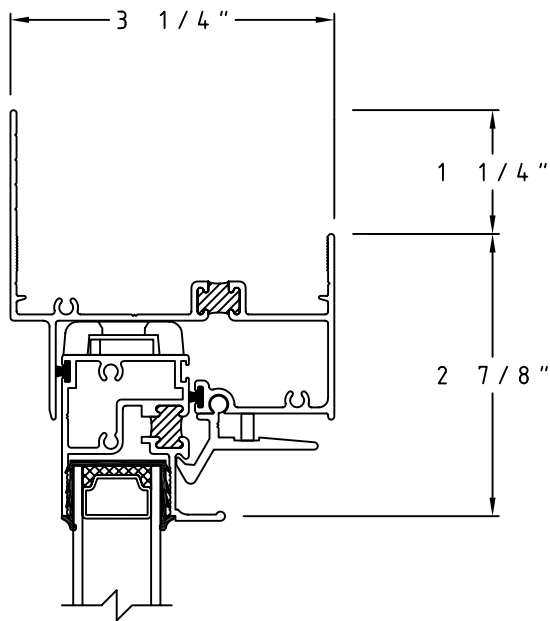


⑫ Double Hung Over Fixed Intergal Mullion Detail

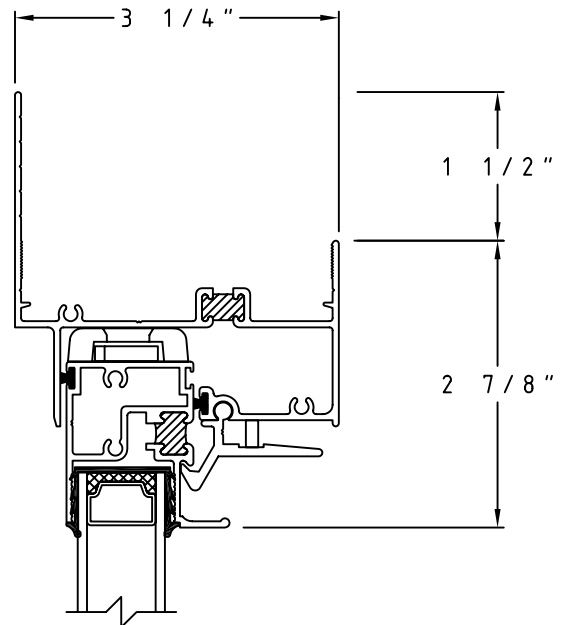


③B 2 1/2" Flange Frame Sill Detail

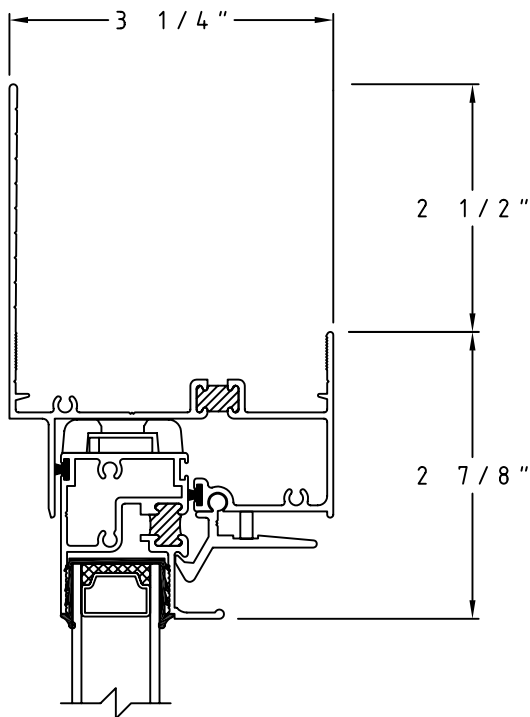
SCALE: HALF



①A 1 1/4" Flange Frame Head Detail

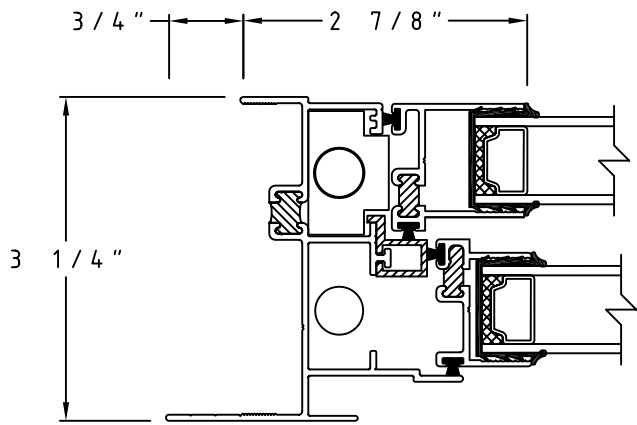


①B 1 1/2" Flange Frame Head Detail

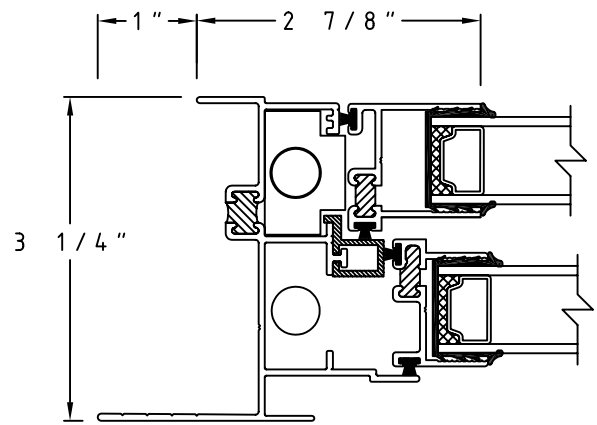


①C 2 1/2" Flange Frame Head Detail

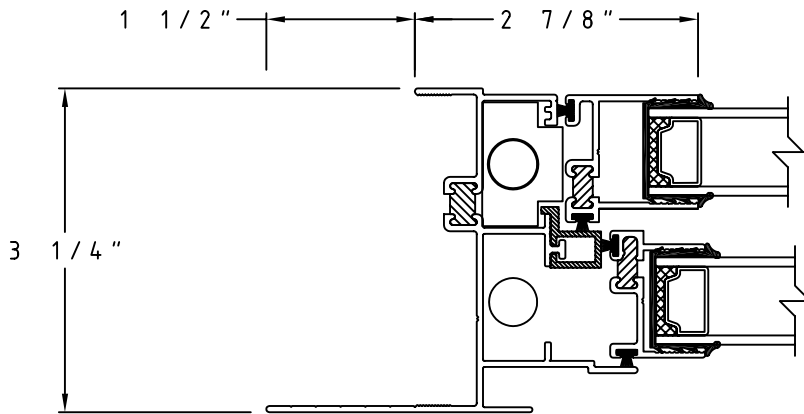
SCALE: HALF



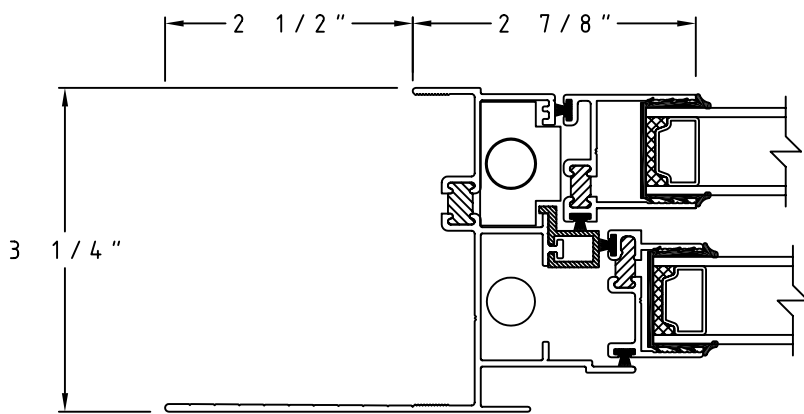
④D 3/4" Flange Frame Jamb Detail



④C 1" Flange Frame Jamb Detail

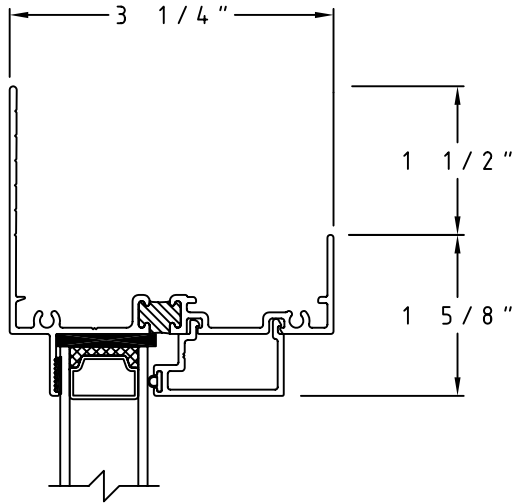


④A 1 1/2" Flange Frame Jamb Detail

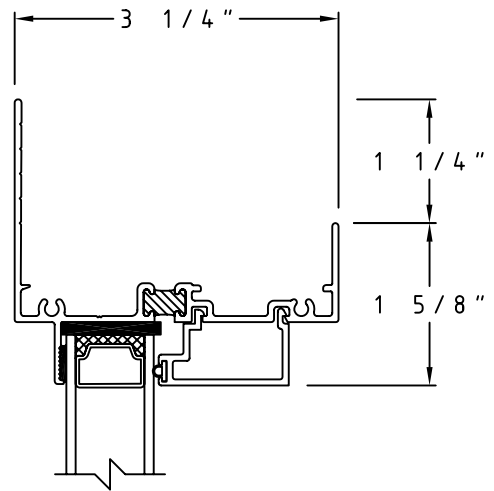


④B 2 1/2" Flange Frame Jamb Detail

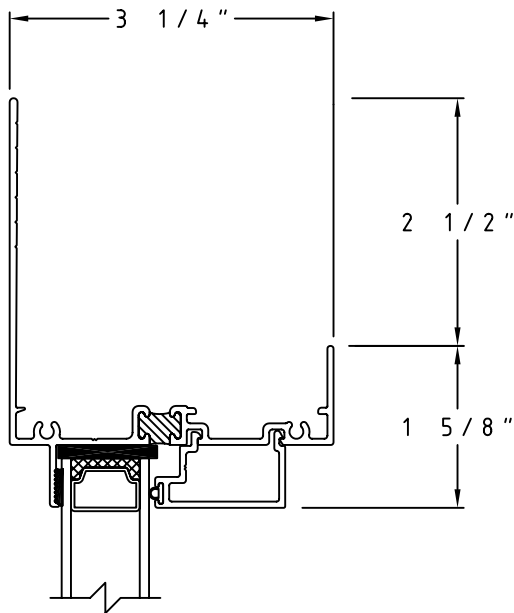
SCALE: HALF



6B 1 1/2" Flange Fixed Head/Jamb Detail

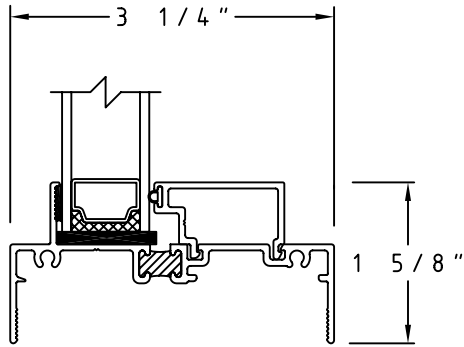


6A 1 1/4" Flange Fixed Head/Jamb Detail

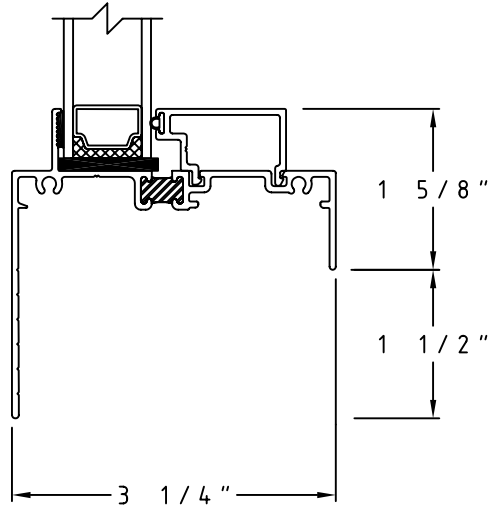


6C 2 1/2" Flange Fixed Head/Jamb Detail

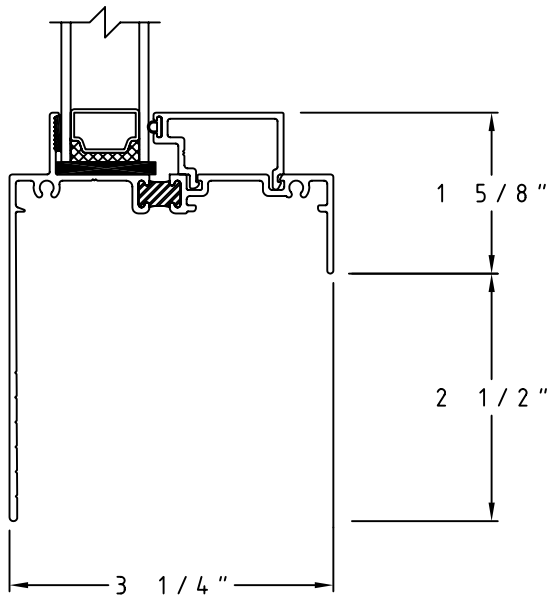
SCALE: HALF



9A Fixed Equal Leg Sill Detail



9B 1 1/2" Flange Fixed Sill Detail



9C 2 1/2" Flange Fixed Sill Detail